

Phase Cut Load Compensator

TD-SCR uses the digital control technology to solve the flickering or non-shutdown problems of LED lamps during leading edge and trailing edge dimming. LED lamps are capacitive loads and often cause problems at the lowest dimming level due to insufficient holding current, leading to impulse-type flickering or failure to turn off LED lamps. TD-SCR ensures stable performance of LED lamps by maintaining the minimum output current when the conduction angle is smallest. It is ideal for load compensation in phase cut circuits.

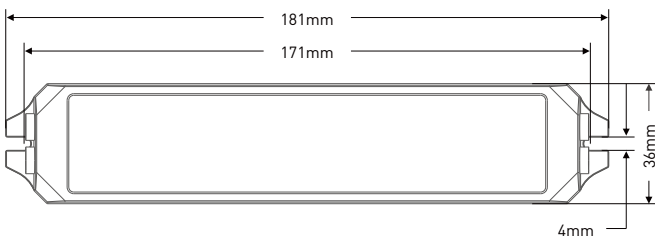


Technical Specs

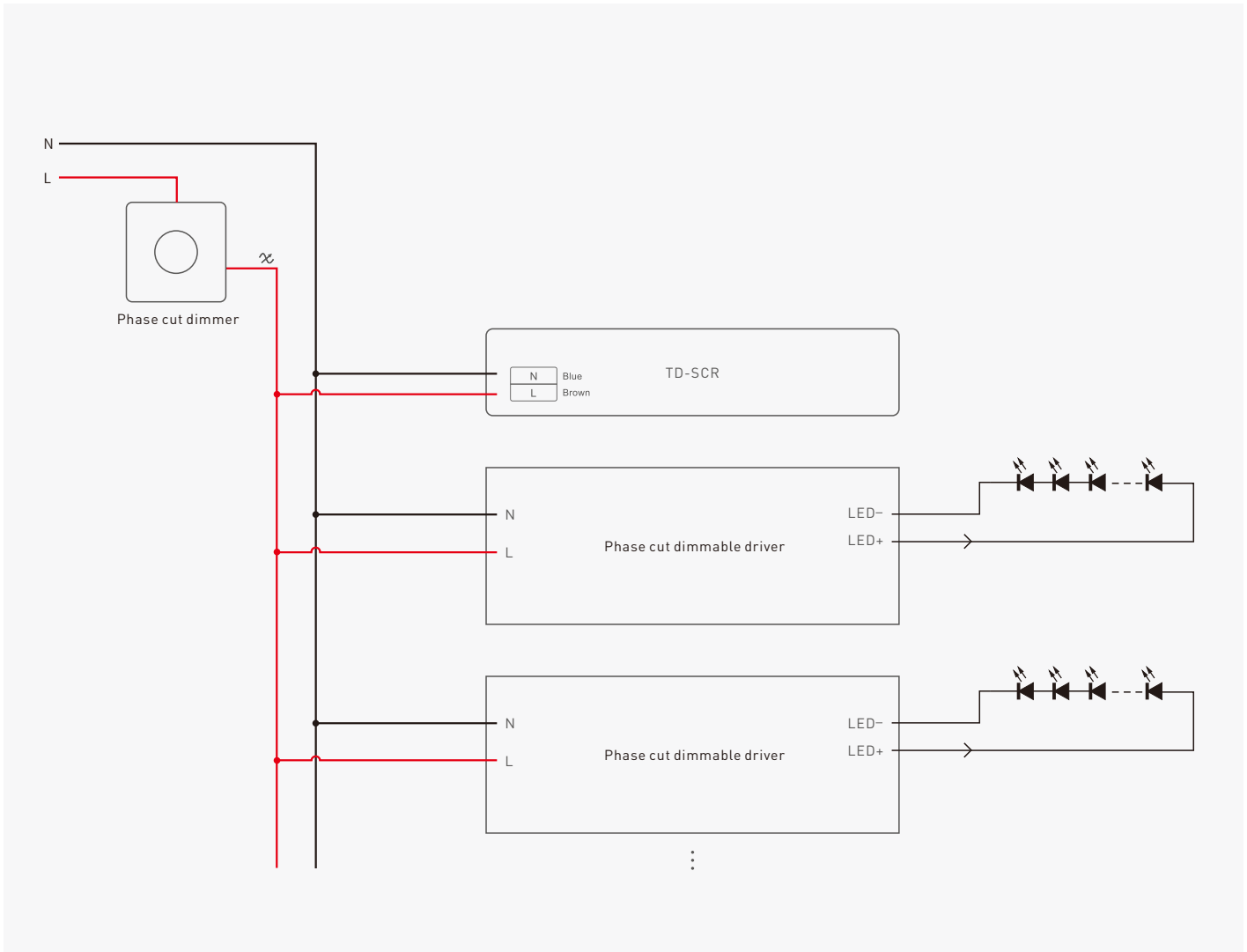
| Model | TD-SCR | |
|-------------|-------------------------------|--|
| INPUT | Input Voltage | 100-240Vac |
| | Frequency | 50/60Hz |
| | Input Current | 70mA@115Vac / 50mA@230Vac |
| | Power Transmission | 5.5W@115Vac / 3.8W@230Vac |
| | Inrush Current | Cold start 10A/230Vac (Test twidth = 320us under 50% Ipeak) |
| ENVIRONMENT | Working Temperature | ta: -30 ~ 55°C tc: 90°C |
| | Working Humidity | 20 ~ 95%RH, non-condensing |
| | Storage Temperature, Humidity | -40 ~ 80°C, 10-95%RH |
| | Temperature Coefficient | ±0.03%/°C(-20-45°C) |
| | Vibration | 10-500Hz, 2G 12min/1cycle, 72 min for X, Y and Z axes respectively |
| OTHERS | Dimensions | 181×36×28mm(L×W×H) |
| | Gross Weight(G.W) | 185g±10g |
| | Warranty | 5 years |

Product Size

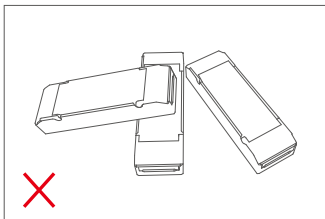
Unit: mm



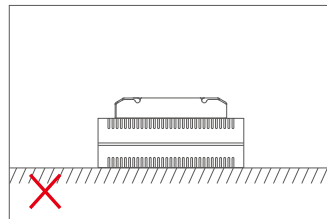
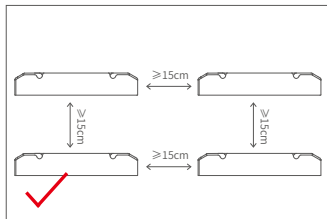
Connection Application Diagram



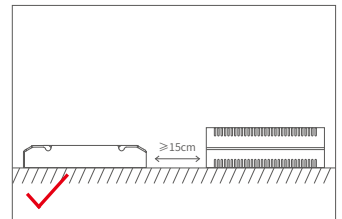
Installation Precautions



Please do not stack the products. The distance between two products should be $\geq 15\text{cm}$ so as not to affect heat dissipation and the lifespan of the products.



Please not place the products on LED drivers. The distance between the product and the driver should be $\geq 15\text{cm}$ so as not to affect heat dissipation and shorten the lifespan of the products.



Note: The temperature within the installation area should be within the working temperature range of the products. Please do not install products inside LED fixtures to avoid temperature exceeding the working temperature that may affect the product lifetime.

Transportation and Storage

1. Transportation

Products can be shipped via vehicles, boats and planes.

During transportation, products should be protected from rain and sun. Please avoid severe shock and vibration during the loading and unloading process.

2. Storage

The storage conditions should comply with the Class I Environmental Standards. The products that have been stored for more than six months are recommended to be re-inspected and can be used only after they have been qualified.

Attentions

- Product installation and commissioning should be done by a qualified professional.
- LTECH products are and not lightningproof non-waterproof (special models excepted). Please avoid the sun and rain. When installed outdoors, please ensure they are mounted in a water proof enclosure or in an area equipped with lightning protection devices.
- Good heat dissipation will prolong the working life of products. Please ensure good ventilation.
- Please check if the working voltage used complies with the parameter requirements of products.
- The diameter of wire used must be able to load the light fixtures you connect and ensure the firm wiring.
- Before you power on products, please make sure all the wiring is correct in case of incorrect connection that causes damage to light fixtures.
- If a fault occurs, please do not attempt to fix products by yourself. If you have any question, please contact your suppliers.

* This manual is subject to changes without further notice. Product functions depend on the goods. Please feel free to contact our official distributors if you have any question.

Warranty Agreement

- Warranty periods from the date of delivery: 5 years.
- Free repair or replacement services for quality problems are provided within warranty periods.

Warranty exclusions below:

- Beyond warranty periods.
- Any artificial damage caused by high voltage, overload, or improper operations.
- Products with severe physical damage.
- Damage caused by natural disasters and force majeure.
- Warranty labels and barcodes have been damaged.
- No any contract signed by LTECH.

1. Repair or replacement provided is the only remedy for customers. LTECH is not liable for any incidental or consequential damage unless it is within the law.
2. LTECH has the right to amend or adjust the terms of this warranty, and release in written form shall prevail.

Update Log

| Version | Updated Time | Update Content | Updated by |
|---------|--------------|------------------|------------|
| A0 | 2023.03.10 | Original version | Liu Weili |